

81-08 85Kv Module

1 Features

Performance & Control

- Velocity control with tunable PIDs & 2nd order feed forward
- Field Estimated Control: Best-in-class efficiency (up to 20% efficiency boost in hover)
- Propeller positioning capabilities
- 3D reversible, no delay while crossing zero
- Industry-leading rise & response times
- Regenerative & active braking
- Active freewheeling
- Fast FET switching, use of gate drivers
- Voltage controller
- PWM controller
- Coast and brake modes
- No minimum speed
- Backdrivable

System Integration

- Motor with built-in ESC & position sensor
- Communication protocols: DroneCAN, DShot (150-1200), 1-2ms PWM, Serial (UART) w/ access to control parameters, Oneshot (42,125), and Multishot

Safety & Reliability

- Over-current, over-voltage, & over-temperature protection
- Access to standard & custom telemetry
- Motor health monitoring
- Safe arming procedure

2 Applications

- Drone propulsion
- Robotics



3 Description

The 81-08 85Kv Module is an ultra-compact, lightweight module that tightly integrates a high-performance 81-08 motor with a 60A, 12S ESC and position sensor. It has an open and closed loop velocity controller designed primarily to drive propeller loads. Its performance is comparable to or better than other 81-08 sized motors and can operate at any speed between -4000 and 4000 RPM thanks to its sensed control. The motor can be driven with the integrated PID velocity controller with a second order polynomial feed forward, which is ideal for propeller applications. This sits on top of a voltage controller, which compensates for varying input voltages such as battery charge levels. Finally, the core is a raw PWM controller. Any of the above controllers can be used by the user.

An optional multi-turn angle firmware can be flashed onto any 81-08 85Kv Module. This firmware incorporates a PID position controller with a minimum-jerk trajectory generator, a constant velocity controller, and a rotational to linear converter.

4 Motor Specifications

Description	Symbol	Value	Unit	Notes
Speed Constant	K_v	85	RPM/V	
Torque/EMF Constant	K_t	0.1123	N m A^{-1}	
Resistance	R	0.198	Ω	motor, 25°C
Mass	m	282	g	Without wires/accessories
Continuous Torque	τ_b	2.4	N m	In airflow, 25°C ambient
Continuous Current	I_{SR}	19	A	Motor current, in airflow, 25°C ambient
Pulsed Current	I_{SP}	90	A	Motor current, 100ms, 25°C ambient
No Load Speed	ω_0	139.4	rad s^{-1}	@ $V_{CC} = 18\text{ V}$
No Load Current	I_0	0.4	A	@ $V_{CC} = 18\text{ V}$

5 Electrical Specifications

Table 1: Absolute Maximum Ratings

Description	Symbol	Min	Max	Unit	Notes
Supply Voltage	V_{CC}	-0.3	62	V	
Digital Logic Voltage	V_L	-0.3	7.3	V	3.3V system, 5V tolerant
CAN Voltage	V_{CAN}	-20	20	V	
MCU Temperature	T_{MCU}	-20	105	°C	Controller will self-limit performance when approaching max temperature

Table 2: Recommended Operating Conditions

Description	Symbol	Min	Max	Unit	Notes
Battery Cells	S	4	12	S	Standard Li-on/po. Use w/ caution on 12S.
Power Supply Voltage	V_{CC}	12	48	V	Ensure motor regen does not exceed voltage limit. Use built in regen limiter or use an external load.
Ambient Temperature	T_a	-10	50	°C	Higher possible with reduced performance

6 Electrical Interface

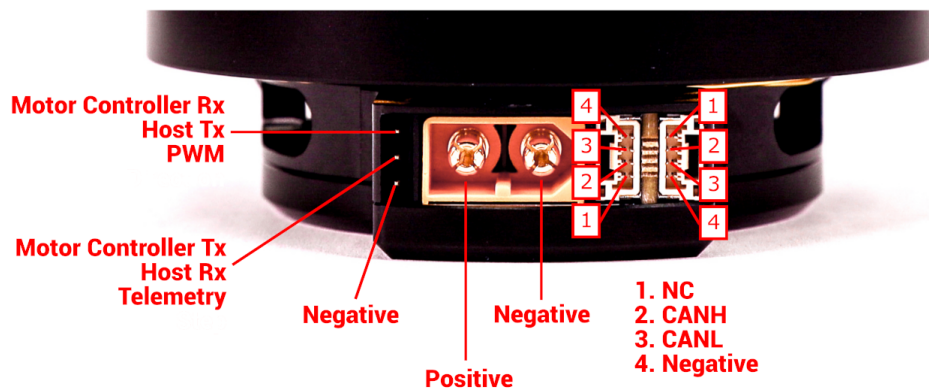


Figure 1: Connector Pin Labels

6.1 Communication Wiring

6.1.1 0.1" Header 3 Position

The standard communication connector is a 0.1" (2.54mm) male header, capable of accepting JR type servo connectors, jumper wires, and some female 0.1" sockets. The bottom pin is the negative terminal. The middle pin is the motor controller TX/host RX, and telemetry output. The middle pin is a Digital Logic Voltage, V_L . The top pin is the motor controller RX/host TX, and PWM input. The top pin is a Digital Logic Voltage, V_L . All interfaces autodetect the communication protocol.

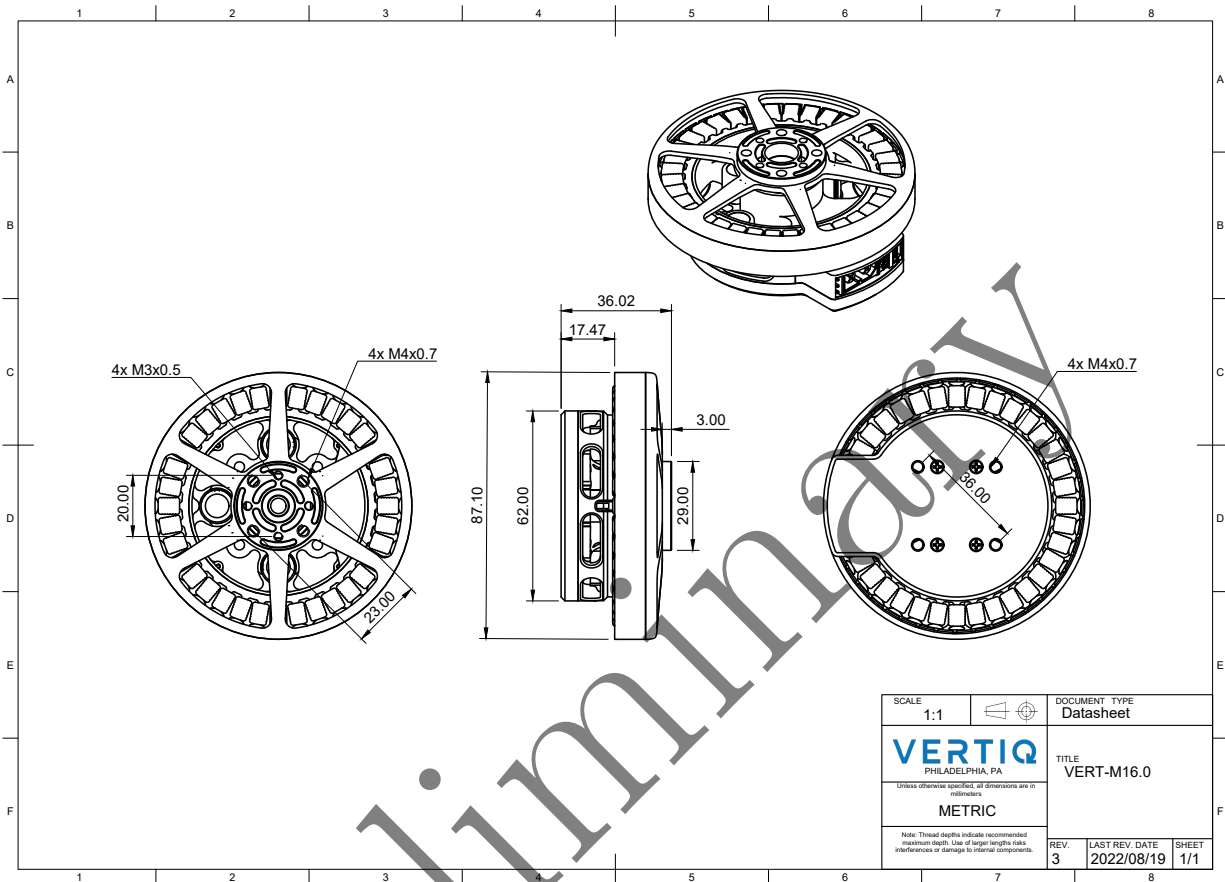
6.1.2 JST GH 4 Position x2

The two JST GH plugs are both CANBus connectors. The connectors adhere to the UAVCAN V0 and Pixhawk DS-009 0.1.0 CAN standards. Both connectors are connected to the same CAN peripheral, allowing a true bus connection through the motor. This configuration does not allow dual CAN redundancy.

6.2 Supply Wiring

Power is transmitted to the 81-08 85Kv Module via the embedded XT60 male connector.

7 Mechanical Interface



8 Safety Features

8.1 Over Current Protection

The ESC uses a predictive method for over current protection. The motor controller will not apply a voltage which would put the controller or motor at risk of over current. This is in contrast to a reactive current controller, which only performs limiting once large currents have been detected, and thus already put the hardware at risk.

8.2 Over Temperature Protection

The controller has an onboard temperature sensing circuit. If the temperature sensor detects a temperature that is approaching the controller's maximum temperature limit the controller will begin to derate, resulting in lower speeds and torques than expected. The controller will continue outputting as much power as possible without exceeding its thermal limit. If the temperature drops the controller will automatically exit derate mode and continue normal operation.

Though there is no temperature sensor in the motor's coils, the controller contains a predictive model which estimates the coil temperature. The same derating process as above is applied to the estimated coil temperatures, applying as much power as possible without causing damage. This protection ensures that large loads or stalled conditions do not overheat and damage the motor coils and magnets.

8.3 Over Speed Protection

A soft limiter will reduce the voltage applied to the motor once ω_{max} is exceeded. The farther the speed is above ω_{max} the lower the output voltage of the controller. In extreme overspeed situations the motor acts as a brake, effectively shorting the three phases of the motor together. This will protect the motor from extremely large load changes, poor PID tuning values, and the unlikely chance of a runaway condition. This feature will fight an externally applied load that causes an over speed, but is not able to guarantee the prevention of an over speed condition in this situation.

8.4 Regeneration Voltage Protection

The 81-08 85Kv Module is a four quadrant motor-controller, which means it can both motor and generate in both directions. One problem when the motor is generating is the voltage can spike if the connected electronics cannot absorb the energy that is being generated. Power supplies cannot generally absorb energy, while rechargeable batteries and capacitors can. This leads to a voltage spike that may destroy the motor and any attached equipment.

The controller prevents these spikes from occurring by limiting the voltage applied to the motor. If an out of allowable range generation occurs, the motor will decrease its own generation, thereby protecting the circuitry. This protection does not prevent the damage from externally applied voltages.

8.5 Command Timeout Protection

A user settable timeout automatically puts the motor in to coast mode if it does not receive a message valid message within a specified amount of time. The normal operation resumes upon receiving a new message.

8.6 Input Connection Protection

All exposed pins are protected with ESD diodes and a small amount of reverse polarity protection. Do not knowingly or intentionally apply reverse polarity or out of limit voltages to the exposed pins.

8.7 Watchdog Protection

In case of an unlikely error in the controller that causes it to freeze, the controller will automatically reboot. While this may allow for a recovery, all normal startup procedures are re-performed and any arming sequence or auxiliary commands must be redone.

Preliminary

9 Revision History

Table 3: Revision History

Version	Date	Changes
1.0	2022-10-11	Initial Version

Preliminary